

Fixed Dome Junction Box

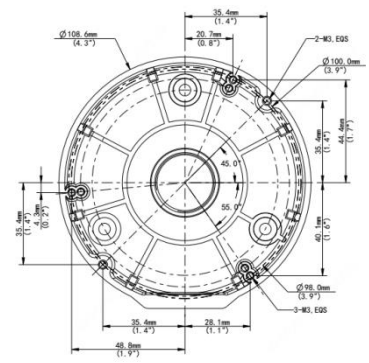
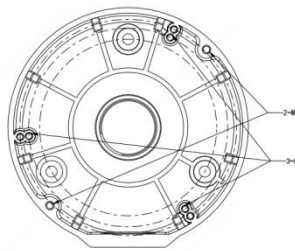
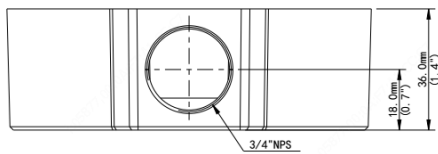
TR-JB03-G-IN



Specifications

Bracket	TR-JB03-G-IN
Application	Junction box for IPC32X Series,IPC31x series,IPC354SR3 series,IPC3616 series and IPC361x SE/SS/SB series fixed dome
Dimensions	φ108.6mm*36.0mm (4.3" x1.4")
Weight	0.2kg(0.44lb)
Material	Aluminum alloy

Dimension



www.uniview.com/uniarch

©2019 Zhejiang Uniview Technologies Co., Ltd. All rights reserved.

*Product specifications and availability are subject to change without notice.